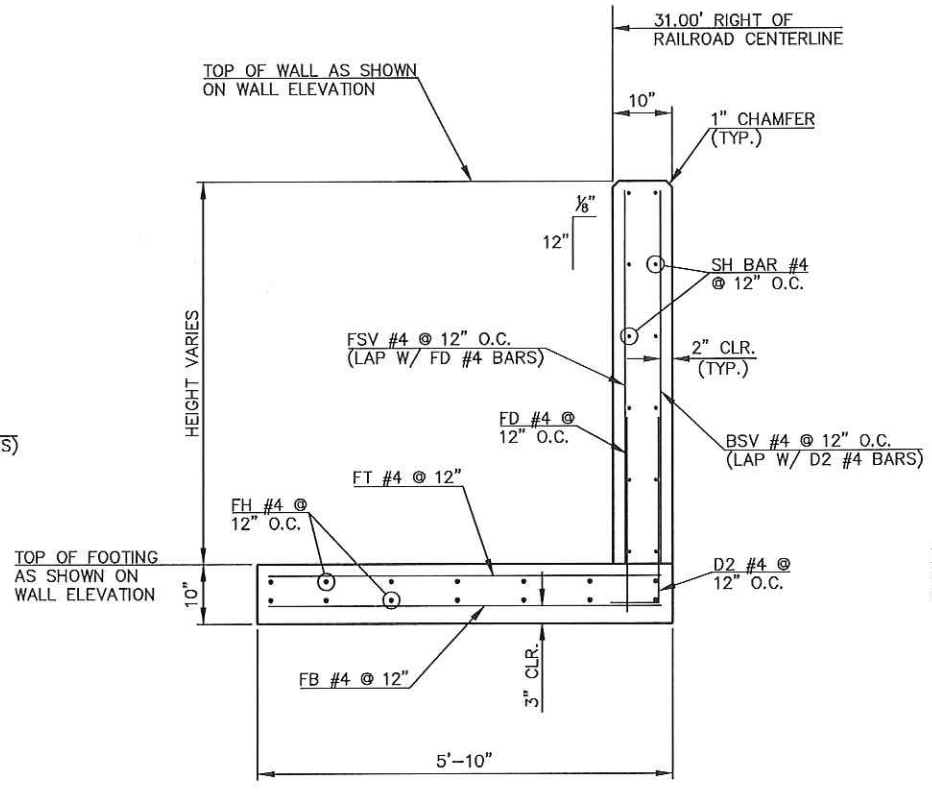
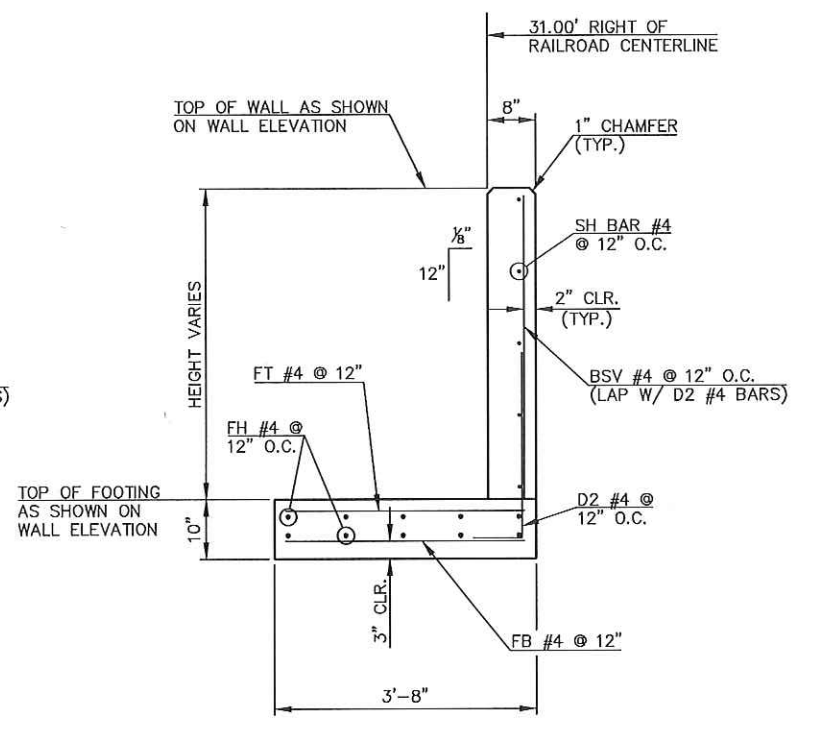


CAST IN PLACE RETAINING WALL TYPE A

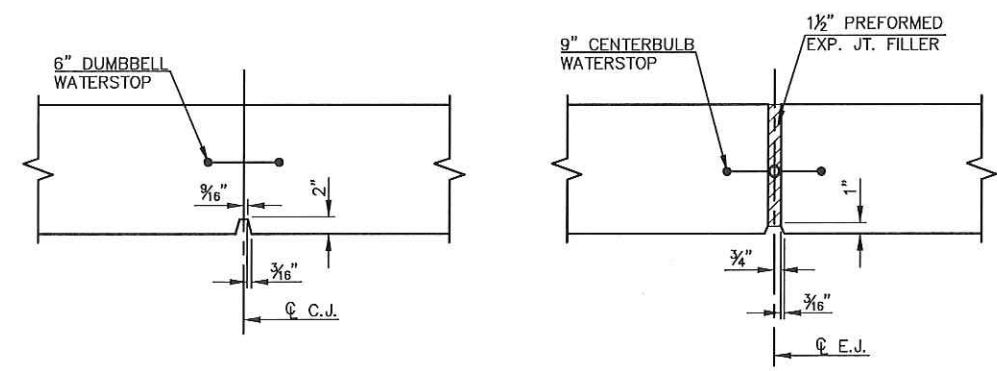


CAST IN PLACE RETAINING WALL TYPE B



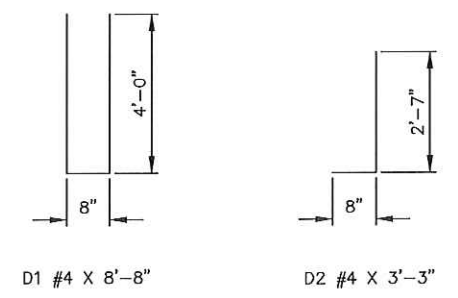
CAST IN PLACE RETAINING WALL TYPE C

CONTRACTOR SHALL SUBMIT SHOP DRAWINGS FOR REINFORCING STEEL TO THE ENGINEER FOR APPROVAL.



CONSTRUCTION JOINT EXPANSION JOINT
RETAINING WALL JOINT DETAILS

NOTE: WATERSTOP SHALL BE PLACED FROM TOP OF FOOTING TO TOP OF WALL AND EXPANSION JOINT FILLER SHALL BE PLACED THE FULL HEIGHT OF WALL. COST SHALL BE INCLUDED IN OTHER ITEMS OF WORK.



RETAINING WALL QUANTITIES		
PAY ITEMS ①		
RETAINING WALL	UNIT	QUANTITY
	S.Y.	142.5
NON PAY ITEMS ②		
STRUCTURAL EXCAVATION	C.Y.	660
COARSE AGGREGATE BACKFILL	C.Y.	40
CLASS A CONCRETE	C.Y.	88.3
REINFORCING STEEL	LB.	8,600
4" PERFORATED PIPE	L.F.	330
4" NON-PERFORATED PIPE	L.F.	15
FILTER FABRIC	S.Y.	230

- ① THE COST OF ALL CONCRETE, REINFORCING STEEL, AGGREGATE BACKFILL, PERFORATED AND NON-PERFORATED PIPE, FILTER FABRIC, WATERSTOPS, PREFORMED EXPANSION JOINT FILLER, LABOR, EQUIPMENT, AND INCIDENTALS NECESSARY TO CONSTRUCT THE RETAINING WALLS SHALL BE INCLUDED IN THE CONTRACT UNIT PRICE OF "RETAINING WALL".
- ② THESE ITEMS ARE PROVIDED FOR INFORMATION ONLY AND ARE NOT PAY ITEMS. THE CONTRACTOR SHALL SATISFY HIMSELF THAT THE QUANTITIES ARE CORRECT BEFORE BIDDING THE PROJECT.



MKEC ENGINEERING INC.
JONATHAN T. HISEY
OKLA. REG. NO. 23127 CA-2958
EXP. 6/30/17

DESIGN	J.T.H.	CITY OF MIDWEST CITY	OKLAHOMA COUNTY
DRAWN	H.W.L.	CAST IN PLACE RETAINING WALL DETAILS	
CHECKED	J.T.H.		
APPROV.	J.T.H.		
SQUAD	MKEC ENG.		
		JOB PIECE NO. 31435(04)	SHEET NO. RET1